

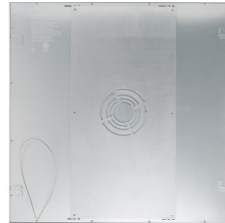
JOB NAME: _____

DATE: _____

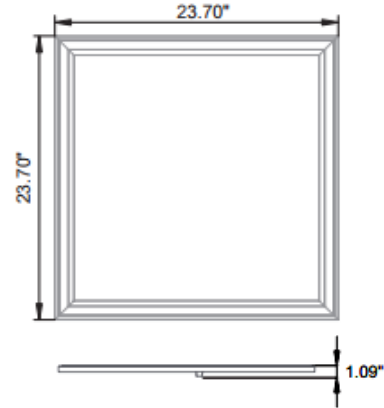
TYPE: _____

DIMENSIONS:

23.70"(L)X23.70"(W)X1.09"(H)



Surface Mount
Bracket Included



- LPS-2X2-50K-D**
- LPS-2X2-40K-D**
- LPS-2X2-30K-D**

INTERNAL-DRIVER LED SURFACE MOUNT PANELS

Ideal for hotel, offices, retail outlets, restaurant, parking garages, storage room, conference room, education facilities and more.

ELECTRICAL SPECIFICATIONS:

- Voltage: 120-277VAC 50/60Hz
- Wattage: 40W
- Power factor: >0.95
- Efficacy: 110LM/W

HOUSING SPECIFICATIONS:

- White Finish
- Internal Driver
- Mounting Options: Surface mount, Recessed Mount
- Operating temperature: -13°F ~ 104°F
- Lifespan: 50,000 hrs.
- Suitable for Damp Locations

CERTIFICATIONS: DLC, ETL



| MODEL | WATTS | VOLTAGE | LUMENS UP/DOWN | COLOR TEMP |
|---------------|-------|------------|----------------|------------|
| LPS-2X2-50K-D | 40W | 120~277VAC | 4400LM | 5000K |
| LPS-2X2-40K-D | 40W | 120~277VAC | 4400LM | 4000K |
| LPS-2X2-30K-D | 40W | 120~277VAC | 4400LM | 3000K |

OPTIONAL ACCESSORY:



LPS-JBOX

| MODEL | DESCRIPTION |
|----------|--|
| LPS-JBOX | Optional Junction Box for T-Bar installation |

LIGHTING SPECIFICATIONS:

- Dimming: 0~10V Dimmable
- Recommended Dimmers: DIVA-DVTV(LUTRON), NOVA T NTSTV-DV(LUTRON), IP710-DL(LEVITON)
- Total lumens: 4400LM
- Color temperature: 5000K/4000K/3000K
- Color rendering index: >80

WARRANTY: 5 years

